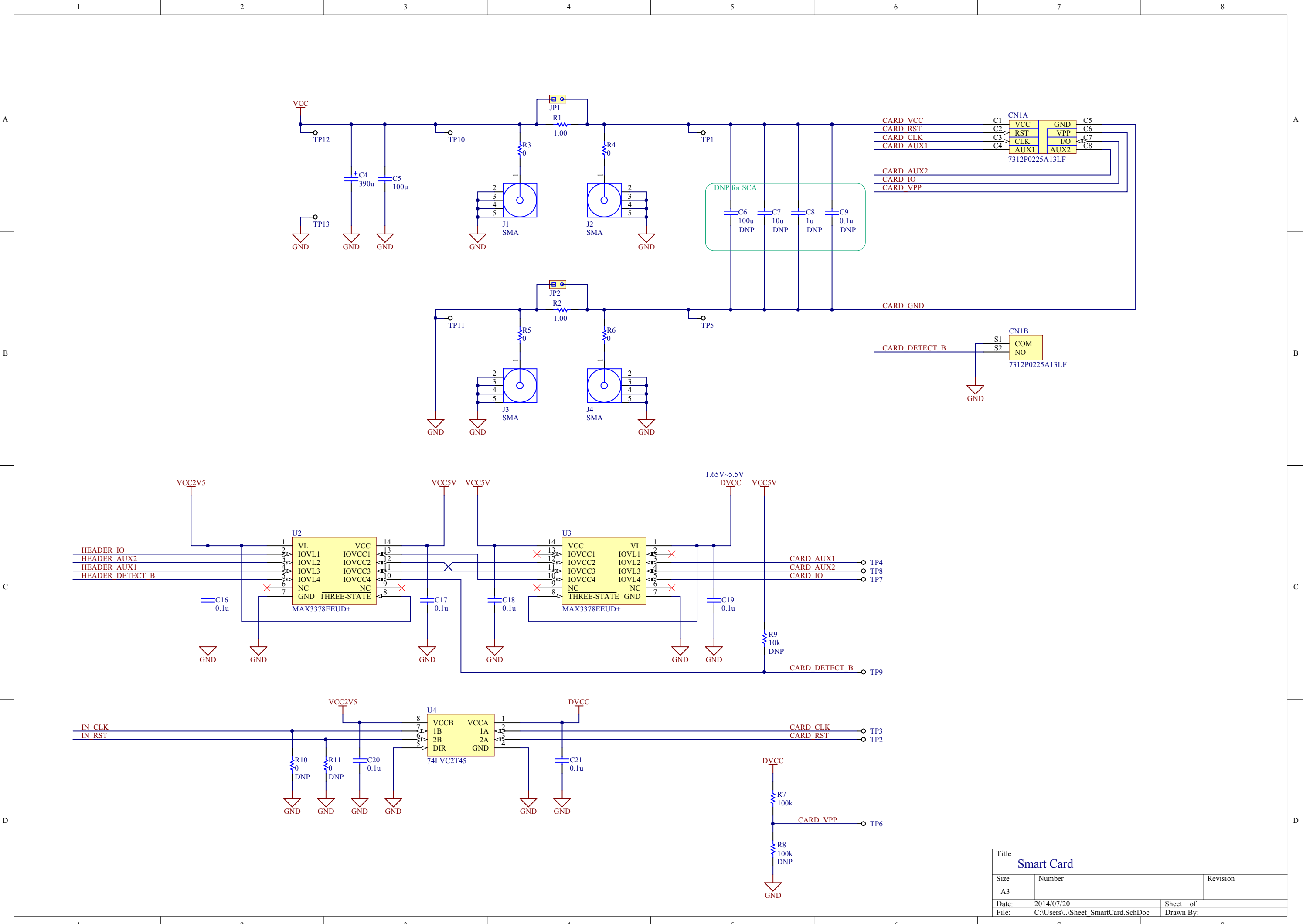
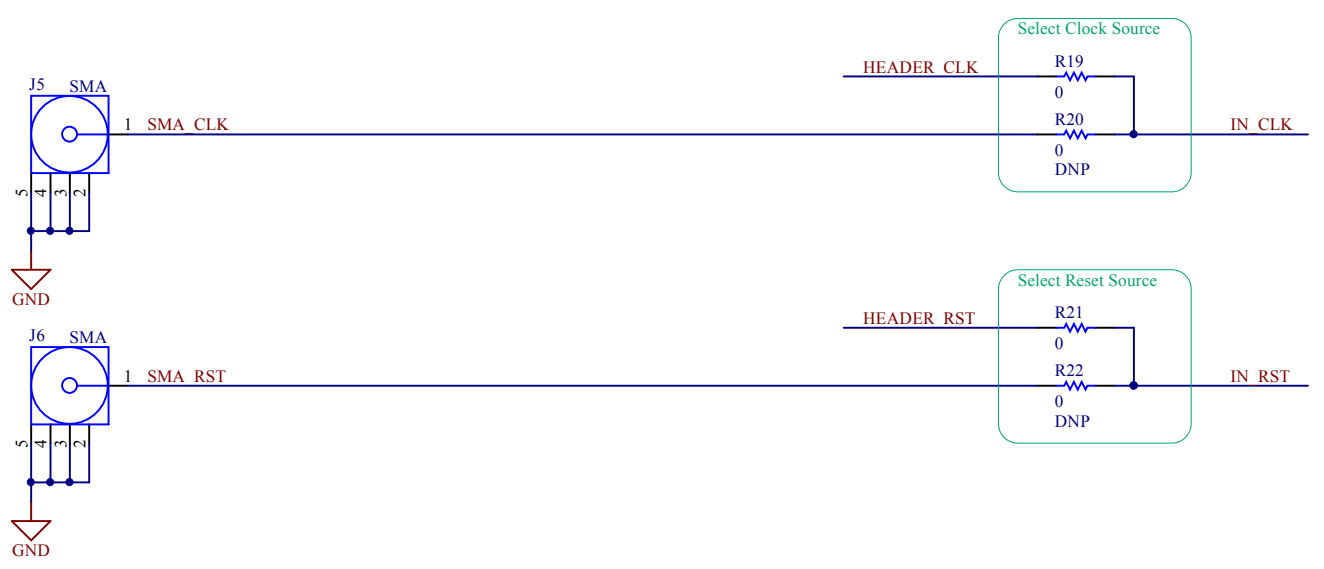
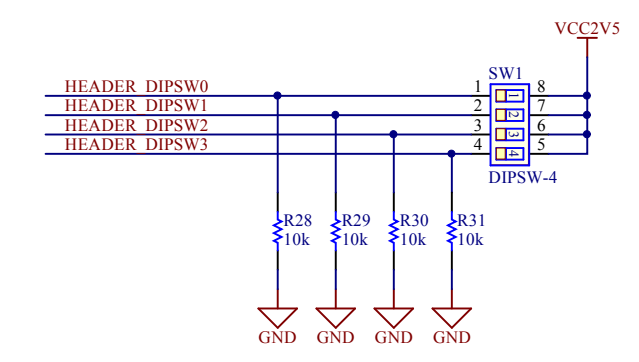
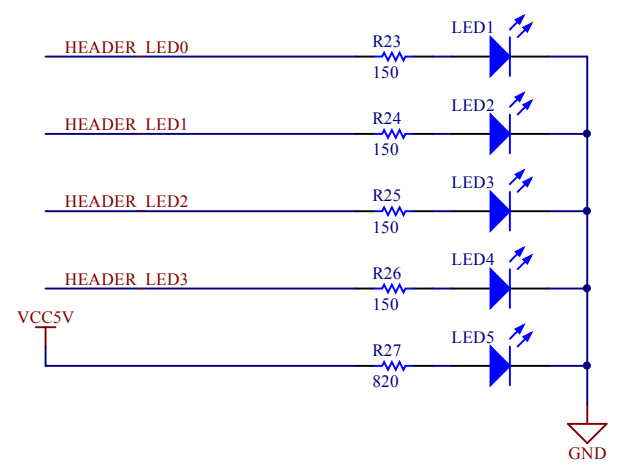
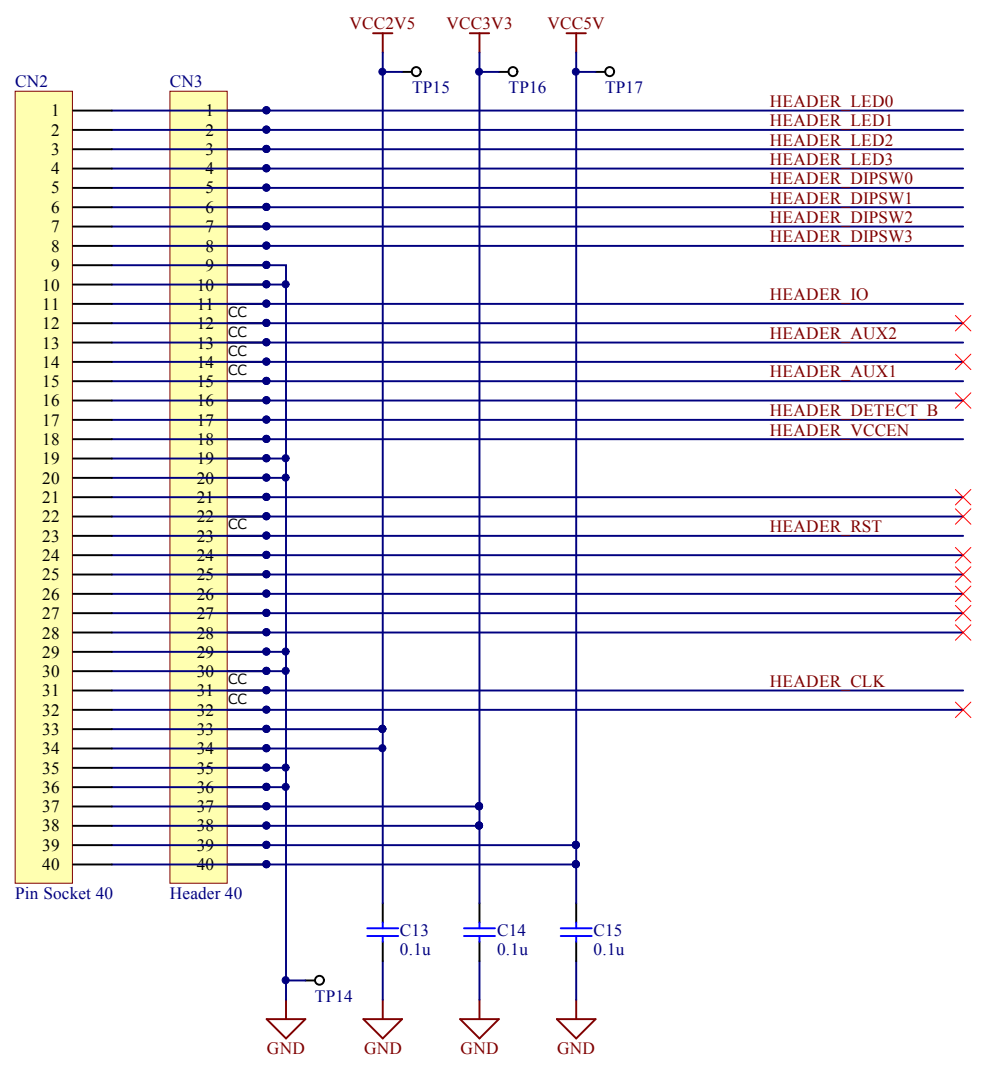


Title <b>Power</b>		
Size A3	Number	Revision
Date: 2014/07/20	Sheet of	
File: C:\Users\...\Sheet Power.SchDoc	Drawn By:	



Title		
<b>Smart Card</b>		
Size	Number	Revision
A3		
Date:	2014/07/20	Sheet of
File:	C:\Users\...\Sheet SmartCard.SchDoc	Drawn By:



Title <b>I/O</b>		
Size A3	Number	Revision
Date: 2014/07/20	Sheet of	
File: C:\Users\...\Sheet IO.SchDoc	Drawn By:	